

Spring Cone Crusher



Spring Cone Crusher Overview

With advantages of reliable construction, high prod activity, easy adjustment and low cost in operation, SBM spring cone crusher is suitable for crushing various of mid-hard and above mid-hard ores and rocks. The spring release system of SBM cone crusher acts an overload protection system that allows chunk to pass through the crushing chamber without damage to the crusher, two kinds of sealed formation dry oil and water are used. It separates plaster stone and engine oil, reliable performance ensured.

Applications

Spring cone crushers are widely used in industries like metallurgy, construction, road building, chemistry etc, to crush many kinds of mid-hard or hard rocks and ores such as iron ore, limestone, granite, basalt, quartz etc. The standard ones are used for intermediate crushing; the medium ones are used for fine crushing; and the short head ones are used for super thin crushing.

Main Features and Benefits

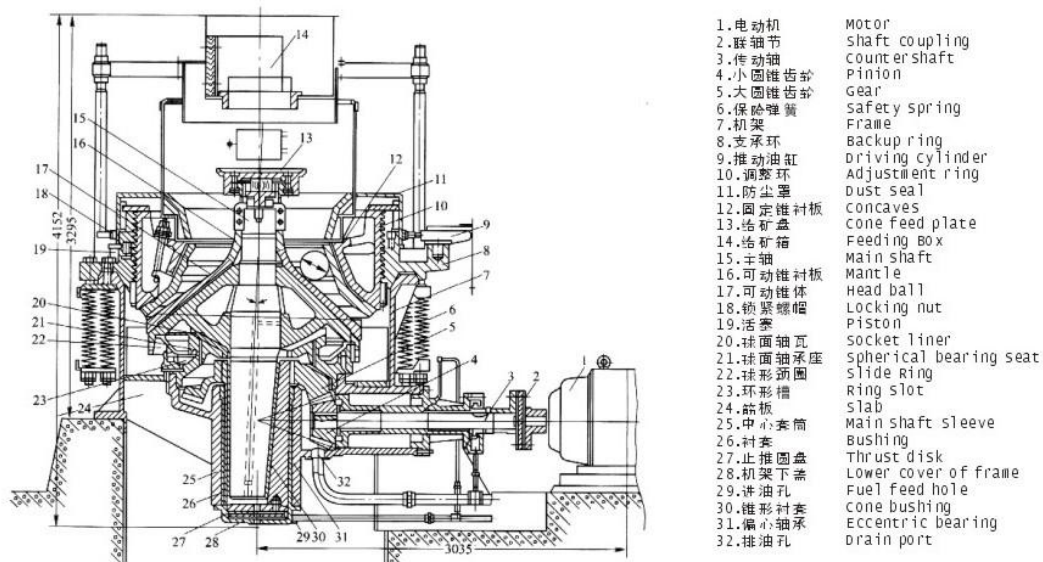
1. High productivity; high quality
2. Less machine stop time
3. Easy maintenance and low cost
4. Unique crushing ability in primary, secondary and tertiary crushing

Technical Data

Model		Max. Feed Size(mm)	Adjustable Range of Discharging Opening(mm)	Capacity (t/h)	Motor Power (kW)	Diameter of Cone Crusher at Big End(mm)	Weight (t)
PYB	900	115	15-50	60-105	55	Φ900	11.2
PYZ		60	5-20	50-90			
PYD		50	3-13	15-50			
PYB	1200	145	20-50	110-168	130	Φ1200	35
PYZ		100	8-25	42-135			
PYD		50	3-15	18-105			
PYB	1750	215	25-50	280-480	160	Φ1750	50.3
PYZ		185	10-30	115-320			50.3
PYD		85	5-13	75-230			50.2
PYB	2200	300	30-60	590-1000	260 280	Φ2200	80
PYZ		230	10-30	200-580			
PYD		100	5-15	125-350			

Note: This specification is just reference, any changes are subject to the Spring Cone Crusher products.

How Spring Cone Crusher Works



During operation, the motor of Spring Cone Crusher drives the eccentric shaft shell to turn around through a horizontal axle and a pair of bevel gear. The axle of crushing cone swings with the force of eccentric shaft shell so that the surface of the crushing wall is close to the roll mortar wall from time to time. In this way, the ores and rocks will be pressed and crushed.

Sales Hot-Line

International Dept.1: Tel: 0086-21-58383098

International Dept.2: Tel: 0086-21-58383028

International Dept.3: Tel: 0086-21-58383058

International Dept.4: Tel: 0086-21-58383003

International Dept.5: Tel: 0086-21-58383022

E-mail & Fax

E-mail: sbm@unisbm.com

Fax: 0086-21-58383058

Office Address & Zip

Add : No.416 Jianye Road, South Jinqiao Area, Pudong, Shanghai, China

Zip / Postal Code : 201201