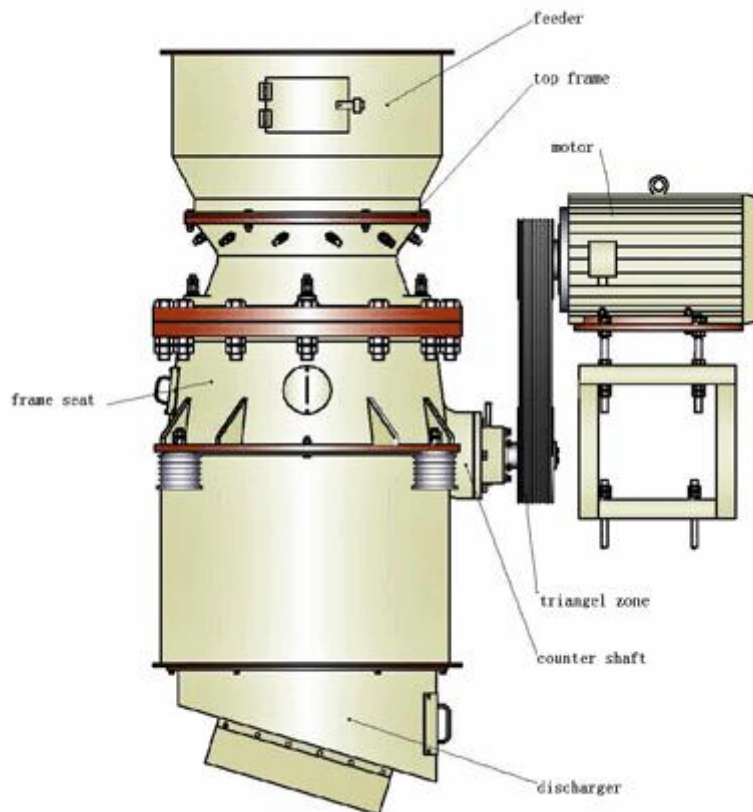


HCS 90 Cone Crusher



HCS 90 Cone Crusher Overview

The HCS90 type cone crusher with high-efficiency and single cylinder hydraulic pressure applies to metal mine , metallurgical, chemical , building, cement and sandstone industry etc. It can Apply to the middle and small broken bits break materious of mines and iron ore with the Knoop number hardness $f = \text{mine } 5-16$'s, such as sums rock, non-ferrous metal ore , granite , limestone , quartzite , sandrock , cobblestone etc.

Applications

Spring cone crushers are widely used in industries like metallurgy, construction, road building, chemistry etc, to crush many kinds of mid-hard or hard rocks and ores such as iron ore, limestone, granite, basalt, quartz etc. The standard ones are used for intermediate crushing; the medium ones are used for fine crushing; and the short head ones are used for super thin crushing.

Main Features and Benefits

The HCS90 type cone crusher with high-efficiency and single cylinder hydraulic pressure is a kind of high-tech crusher to meet the requirements of developed countries. It is designed by our company who brings in the USA technology, and combines with the China metal material function. The characters of this machine are as following:

- High efficiency: The main axle has support both on the high and low sides which can stand more stave strength and stroke. In addition to special stave cavity shape which adapts with the lamination principle, enables this machine has higher crushing efficiency.
- High production: This machine is designed consummately which combined the will break stroke, the broken speed and the feature of broken cavity, so that under the same moving identical cone big end diameter condition, the output is higher than the old-fashioned damaged spring cone output about 35% ~60%.
- High-efficiency cobblestone: This machine adopts the proper broken cavity shape and broken principle of lamination, produces broken effect among particles, thereby increases the cube proportion of finished product obviously, decreases the needle schistose cobblestone, and the grade is more homogeneous.
- It only needs to change the fix cone to meet the needs of various cavity middle and thin break.
- Double assurances control the hydraulic pressure and lubricating system to ensure the overload protection and fine axle bearing lubricates.
- Convenient maintenance: The structure this machine is simple but compact, which have a convenient maintenance.

Technical Data

1. technology parameter

Feeding widden (mm)	135 (100、80、50) four types
Max feeding widden (mm)	110 (80、65、40)
Discharging range (mm)	6-28
Power (Kw)	(75~110)
Max permitting dimension (mm)	<40
Overall dimension length×widden×high (mm)	2581×1550×3276
weight (t)	9.5

2. lubricate pressure system parameter

Oil motor power (Kw)	1.5
Oil motor pressure (MPa)	16
Oil box cubage (L)	100

3. hydranlic pressure system parameter

Oil motor power (Kw)	2.2
Oil motor pressure (MPa)	1.0
Oil box cubag (L)	800

4. capacity

① Model A crushing cavity

discharge (mm)	16	18	22	28
production (t/h)	65-75	70-85	85-105	110-130

② Model B crushing cavity

discharge (mm)	11	13	16	20
production (t/h)	45-55	55-65	65-75	80-100

③ Model C crushing cavity

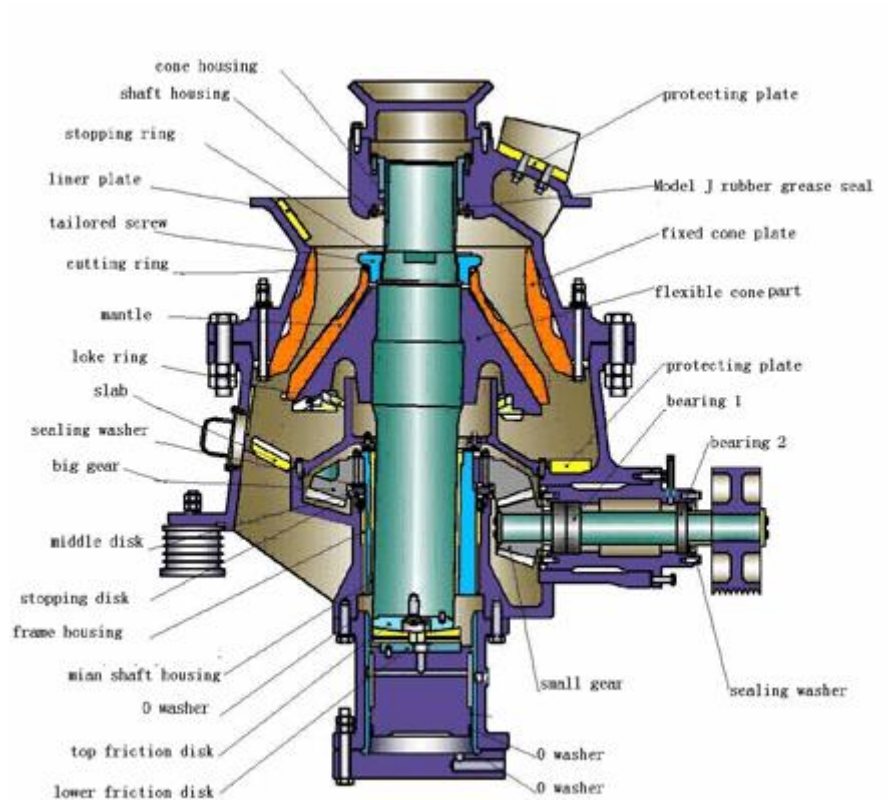
discharge (mm)	9	11	13	16
production (t/h)	25-35	40-50	50-60	60-70

④ Model D crushing cavity

discharge (mm)	6	7	8	10
production (t/h)	20-25	25-30	30-35	35-45

Note: Capacity is measured by the local quartz stone. The broken ability is affected by various factor, such as raw material hardness , humidity , size collocation , operating method , discharger size etc. This form only for reference.

How HCS 90 Cone Crusher Works



The motor drives the eccentric shaft bushing through V-belt, transmission shaft, and transmission gear. The cone makes circle movement at the force of eccentric shaft bushing, and close to mantle from time to time. Raw materials are crushed during the process and are later discharged at the bottom.

Sales Hot-Line

International Dept.1: Tel: 0086-21-58383098

International Dept.2: Tel: 0086-21-58383028

International Dept.3: Tel: 0086-21-58383058

International Dept.4: Tel: 0086-21-58383003

International Dept.5: Tel: 0086-21-58383022

E-mail & Fax

E-mail: sbm@unisbm.com

Fax: 0086-21-58383058

Office Address & Zip

Add : No.416 Jianye Road, South Jinqiao Area, Pudong, Shanghai, China

Zip / Postal Code : 201201